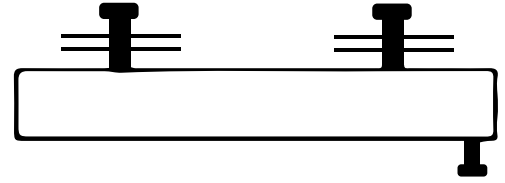


Items Included

- (2) Metal clamps
- (3) Thumb screws
- (1) Umbrella Holder



Items Included

Installation Instructions

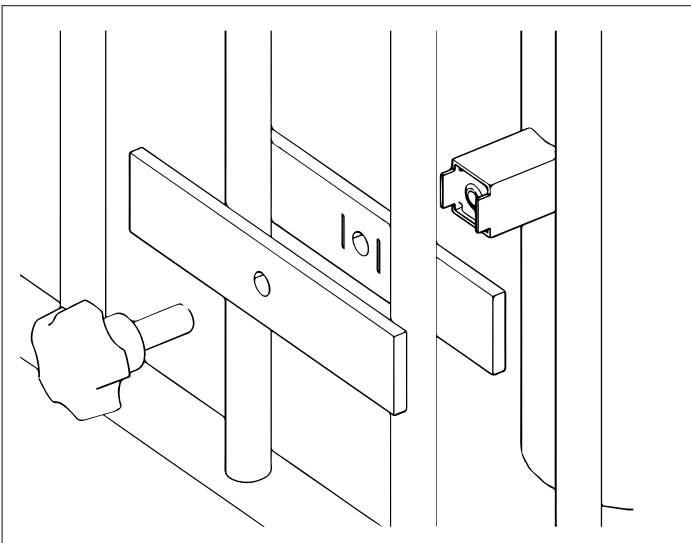
Step 1

Position the clamp on two balusters and tighten with the hand knob until firmly installed. Repeat for other clamp.

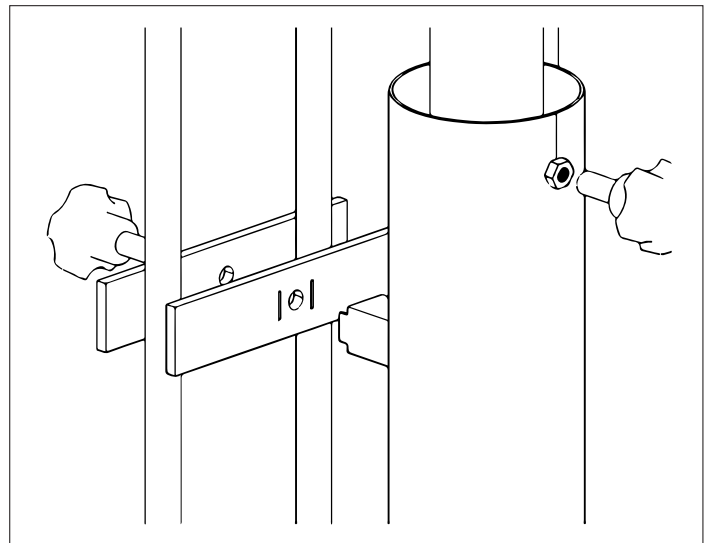
Step 2

Place umbrella in the holder and tighten the thumb screw on the front of the holder to secure the umbrella in place.

Step 1



Step 2



WARNING!

- While it is designed to work with many common railing styles, do not use or force to fit a non-compatible railing.
- Never allow any person to sit on, stand on, lean on, or pull themselves up by the holder.
- Check with your homeowner's or condo association for rules regarding installation and use.
- It is a best practice to remove the holder when not in use. Always remove prior to storms or high winds.
- Check your local zoning ordinance for rules on installation and use.
- Prior to installing or removing, ensure nothing (including any people, animals, furniture, etc.) is below the railing.
- The bracket clamps and thumbscrew should be checked and re-tightened (if necessary) before every use, especially if the umbrella has remained attached to a railing for a long period of time.

